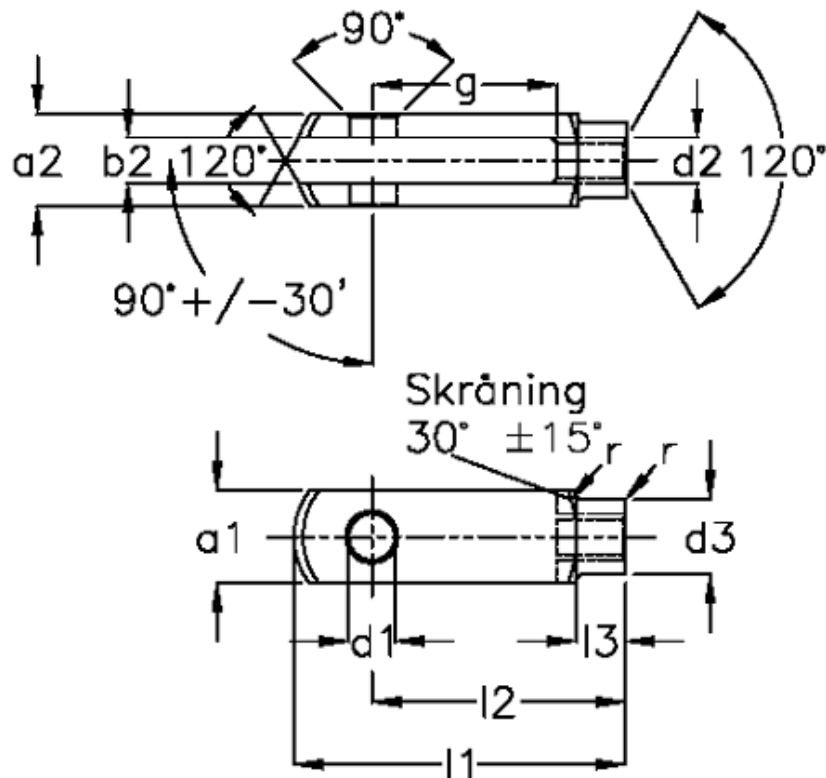


Article number: 1405312241251

Description: KLEE St. steel Fork joint G 12x24  
M12x1,25, right

## Measures



a1 (h11)	= 24	g (+/-0.5)	= 24
a2	= 24 (+0,3 -0,16)	l1 (+/-0.5)	= 62
b1 (B13)	= 12	l2	= 48 (-0,4)
b2	= 12 (+0,7 +0,15)	l3	= 18 (+/-0,2)
d1 H9	= 12	r	= 0.5
d2	= M 12 x 1,25	Size	= G 12 x 24FG
d3 (+/-0.3)	= 20	Weight	= 0.121
f (+/-0.2)	= 0.5		